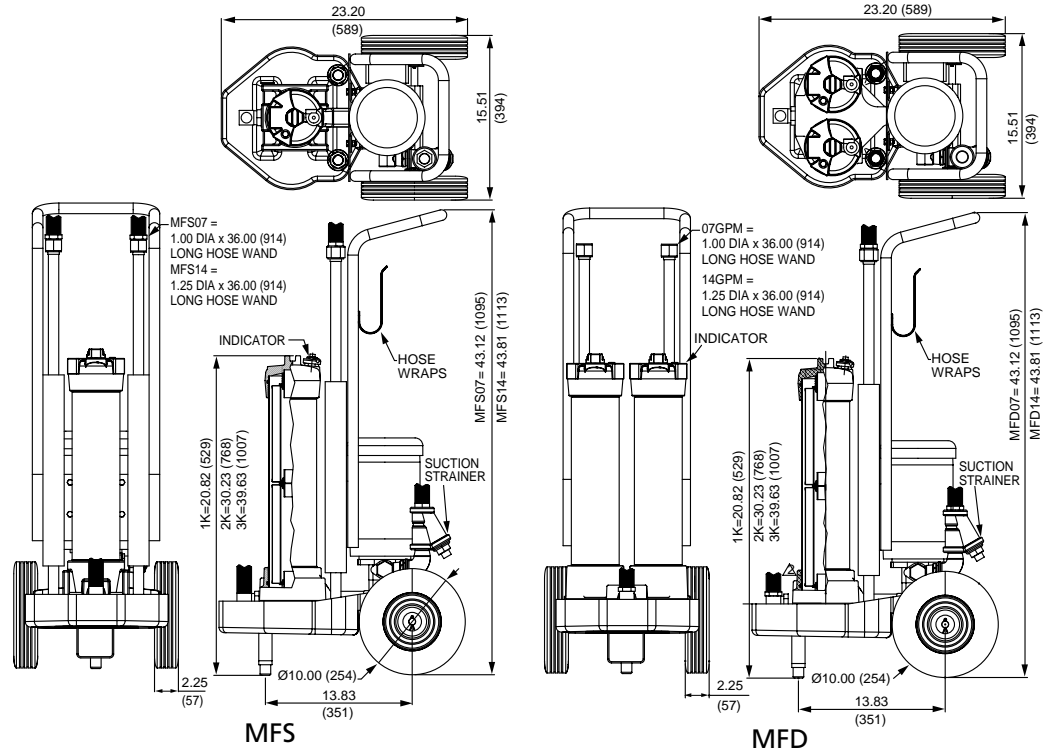


Mobile Filtration Systems



MFS MFD



Metric dimensions in ().

Description

A great product just got better! Schroeder's new generation of portable filtration carts offer many new features to the user.

The Schroeder Mobile Filtration System is a compact, self-contained filtration system equipped with high efficiency, high capacity elements capable of removing particulate contamination and/or water quickly, conveniently and economically. It is perfect for cleaning up existing systems as well as for prefiltering new fluids, since new fluids often have contamination levels significantly higher than that recommended for most hydraulic systems.

The most attractive feature of the new Mobile Filtration System is the significant reduction in noise, being reduced from 91 decibels to 72 decibels at full load. Additional improvements include a modular base that eliminates hoses and fittings between components, a drip pan, and easier element servicing through the new patent pending K9 base-ported filter housing.

The MFS single filtration unit can remove either water or particulate contamination. The MFD dual filtration unit can be used to remove both water and particulate contamination, or for staged particulate contaminant removal.

Features

- Modular base eliminates hoses between components and minimizes leakage
- Base-ported filter provides easy element service from the top cap
- Single, double and triple bowl length option allows the flexibility of additional dirt holding capacity
- D5 Dirt Alarm® indicates when filter element needs changed
- Cleans up oil faster – 7 gpm and 14 gpm models available
- Hoses and extension tubes included
- Drip pan catches oil before it falls to the ground
- Integral suction strainer protects pump
- Off-line stationary system available – see Kidney Loop System, page 166.



Mobile Filtration Systems

- Supplementing continuous filtration by system filters
- Cleaning up a hydraulic system following component replacement
- Filtering new fluid before it is put into service
- Transferring fluid from storage tanks and drums to system reservoirs

Applications

Mobile Filtration Systems

Air-Operated Mobile Filtration Systems

Kidney Loop System

Air-Operated Kidney Loop System

Auto Flush Filter Cart

Filtration Station

X Series Filter Skids

Specifications

Flow Rating: 7 gpm max or 14 gpm max

Maximum Viscosity: 1000 SUS (216 cSt)
Higher viscosity version available. Contact factory for details.

Hose Pressure Rating: 30 psig (2.0 bar) @ 150°F (65.6°C)
Full vacuum @ 150°F (65.6°C)

Maximum Operating Temperature: -20°F to 150°F (-29°C to 65°C)

Bypass Valve Setting: Cracking: 30 psi (2 bar)

Material: Manifold and cap: Cast aluminum
Element case: Steel

Compatibility: All petroleum based hydraulic fluid. Contact factory for use with other fluids.

Motor: 115 V AC Single phase 3/4 hp (7 gpm) or 1-1/2 hp (14 gpm)

Weights

GPM	MFS-1K		MFS-2K		MFS-3K		MFD-1K		MFD-2K		MFD-3K	
	lb.	(kg)	lb.	(kg)	lb.	(kg)	lb.	(kg)	lb.	(kg)	lb.	(kg)
7	170	77	180	82	190	86	185	84	203	92	220	100
14	177	80	187	85	197	89	192	87	210	95	227	103

Model Number Selection

Catalog Model Number	No. of Elements	Element Length	Element Media First Filter	Element Media Second Filter (MFD Only)***	Seals	Pump Size (gpm)
MFS	1	09	E*, Z, EWR** plus 01, 03 05, 10, 25	E*, Z, EWR** plus 01, 03 05, 10, 25	B	07
		18				
		27				
MFD	2	09	E*, Z, EWR** plus 01, 03 05, 10, 25	E*, Z, EWR** plus 01, 03 05, 10, 25	V	14
		3				

Notes:

*E media elements are only available in 03, 10 and 25 microns.

**Water removal (W) elements are indicated by an "EWR" in the part number and are not followed by a 01, 03, 05, 10 or 25.

***When MFD is ordered, the number of elements, element length, and seals will be identical for both filter housings.